

## LARGE OVAL GAS FIRE BOWL (with Enclosure)

Index # 9, Rev-17 / Page 1 of 3

CVO Fire : 01325-301020 : [www.cvo.co.uk](http://www.cvo.co.uk) : [sales@cvo.co.uk](mailto:sales@cvo.co.uk)

### MATERIAL OPTIONS:

- FIRE BOWL: White Cast Stone, Black Cast Stone, Hand Polished Aluminium or Hand Polished Bronze.
- ENCLOSURE: Black Steel, Hand Polished Bronze, Brushed Stainless Steel & Choice of Natural Stones
- TRIM: The Metal Enclosure has an option to fit a 4pc Fascia made of Stone.

### CE APPROVAL:

The gas fire bowl is CE approved for the following gas categories and can be supplied to any EU member state.

- NATURAL GAS
  - I2H-G20-20mBar , I2E-G20-20mBar , I2E+-G20/G25-20/25mBar , I2L-G25-25mBar
- LPG/PROPANE
  - I3P-G31-30mBar, 37mBar & 50mBar

### DIMENSIONS:

**Overall dimensions of the fire:** HEIGHT: 210mm x WIDTH: 700mm x DEPTH: 440mm

**Overall dimensions of the Fascia [CVO Enclosure]:** HEIGHT: 700mm x WIDTH: 1200mm (Stone is 20mm thick)

**Dimensions of Enclosure Opening [CVO Enclosure]:** HEIGHT: 600mm x WIDTH: 840mm x DEPTH: 565mm

**Dimensions of Construction Opening [CVO Enclosure]:** HEIGHT: 900mm x WIDTH: 900mm x DEPTH: 600mm

See attached technical drawings



### LARGE ROUND POWER RATING:

**High and low flame setting (gas only):**

Heat input high: NG – 12.9KW    LPG – 14.3KW

Approximate running costs per hour on high (subject to your gas supplier tariff): NG – 16p, LPG – 75p.

### OTHER TECHNICAL INFORMATION:

1. Fire Bowl is Manual Control as Standard and is available for Natural Gas or LPG.
2. For use with either Class 1 Chimneys or Flue Liner of 200mm x 3m minimum length.
3. Fire bowl has safety devices fitted inline with CE approvals.
4. This is a high power appliance that requires a strong gas supply of **1.4m<sup>3</sup>/h [Nat Gas] or 0.5m<sup>3</sup>/h [LPG]**
5. This appliance requires fresh air room ventilation in line with current regulations.
6. If using in a brick built chimney the chimney must be swept and tested prior to installation.
7. This is a large and powerful gas fire that uses a high volume of gas. This can cause noise which is unavoidable with an appliance with such a high rating.
8. All Gas Fires must be installed by a GAS SAFE Registered Engineer. Failure to do so will invalidate the warranty.
9. All Gas Fires should be serviced every 12 months to ensure that they operate within legal limits.
10. The Fire has been CE tested to work with the dimensions shown on the Standard CVO Fire Enclosure shown on page 2. When installing the fire in a non-CVO enclosure the fire must be installed to ensure it operates safely.
11. Metal Cast Bowls: Bowls which are manufactured from Cast Metal are sand cast at a UK Foundry and then Hand Polished for over 15 Hours at the CVO Fire Factory. Pitting and Air Holes are a normal occurrence and

=====

**CVO reserve the right to amend and improve the specification sheets without prior notice. If in doubt about any aspect of this specification please call. The specification is not to be used to install the fireplace. Every fire is supplied with an official install booklet. Spirit Fires Limited own the Spirit, CVO and FIREVAULT Trademarks. Copying and distribution of these specifications is not permitted without the permission of Spirit Fires Ltd. All dimensions include a +/-2mm tolerance.**

Spirit Fires Ltd, 4 Beaumont Square , Durham Way South, Newton Aycliffe County Durham, DL5 6XN  
Sales: +44 (0)1325-301020 Office: +44 (0) 1325 327 221 Fax: +(0)1325 327 292 Email: [sales@cvo.co.uk](mailto:sales@cvo.co.uk) Web:  
[www.cvo.co.uk](http://www.cvo.co.uk)

**SHOWROOM:** CVO Fires can be seen live in our FIREVAULT showrooms based in the North and South of the UK.

Visit [www.firevault.co.uk](http://www.firevault.co.uk) or call 01325-301020 for full contact details, location maps and directions.

## LARGE OVAL GAS FIRE BOWL (with Enclosure)

Index # 9, Rev-17 / Page 2 of 3

CVO Fire : 01325-301020 : [www.cvo.co.uk](http://www.cvo.co.uk) : [sales@cvo.co.uk](mailto:sales@cvo.co.uk)

are a part of the unique quality of such a hand made piece. All Bowls are inspected and given a full quality control check at the factory. Once the Bowl is installed it will be seen that the overall beauty and uniqueness of your CVO Fire outweighs what is a very minor feature of casting.

12. Natural Stone: The natural stone enclosures, especially Limestone, include fossils and sediment. This is unavoidable. If it is likely that this natural characteristic of the stone will be unacceptable then it is advised to choose a man made stone.
13. Fires can be seen operating live in our FIREVAULT Showrooms; Bespoke Enclosures are available upon request.

=====  
CVO reserve the right to amend and improve the specification sheets without prior notice. If in doubt about any aspect of this specification please call. The specification is not to be used to install the fireplace. Every fire is supplied with an official install booklet. Spirit Fires Limited own the Spirit, CVO and FIREVAULT Trademarks. Copying and distribution of these specifications is not permitted without the permission of Spirit Fires Ltd. All dimensions include a +/-2mm tolerance.

Spirit Fires Ltd, 4 Beaumont Square , Durham Way South, Newton Aycliffe County Durham, DL5 6XN  
Sales: +44 (0)1325-301020 Office: +44 (0) 1325 327 221 Fax: +(0)1325 327 292 Email: [sales@cvo.co.uk](mailto:sales@cvo.co.uk) Web:  
[www.cvo.co.uk](http://www.cvo.co.uk)

SHOWROOM: CVO Fires can be seen live in our FIREVAULT showrooms based in the North and South of the UK.

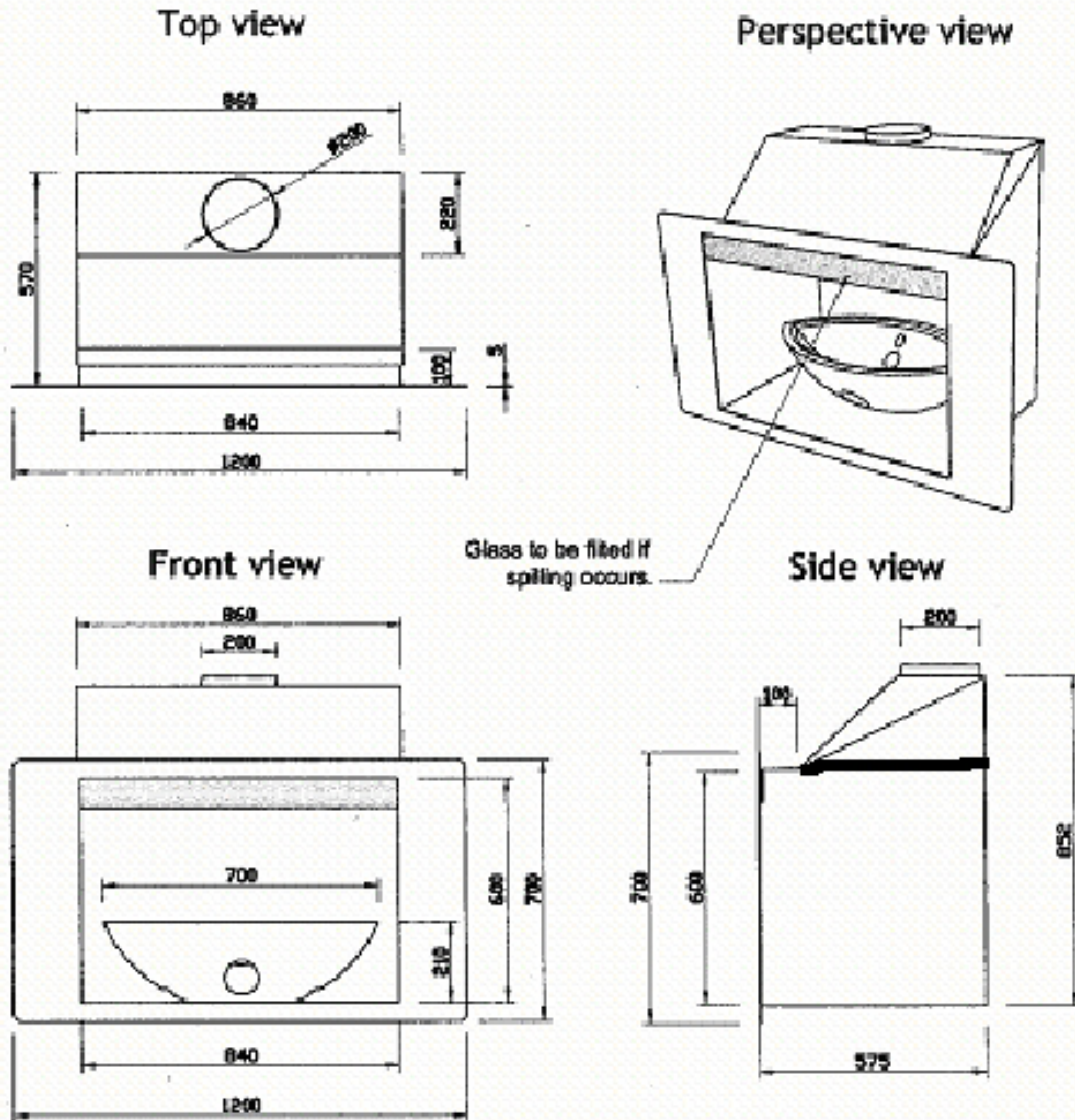
Visit [www.firevault.co.uk](http://www.firevault.co.uk) or call 01325-301020 for full contact details, location maps and directions.

**LARGE OVAL GAS FIRE BOWL (with Enclosure)**

Index # 9, Rev-17 / Page 3 of 3

CVO Fire : 01325-301020 : [www.cvo.co.uk](http://www.cvo.co.uk) : [sales@cvo.co.uk](mailto:sales@cvo.co.uk)

**NOTE - The dimensions on this product are for a metal enclosure.**



=====

CVO reserve the right to amend and improve the specification sheets without prior notice. If in doubt about any aspect of this specification please call. The specification is not to be used to install the fireplace. Every fire is supplied with an official install booklet. Spirit Fires Limited own the Spirit, CVO and FIREVAULT Trademarks. Copying and distribution of these specifications is not permitted without the permission of Spirit Fires Ltd. All dimensions include a +/-2mm tolerance.

Spirit Fires Ltd, 4 Beaumont Square , Durham Way South, Newton Aycliffe County Durham, DL5 6XN  
Sales: +44 (0)1325-301020 Office: +44 (0) 1325 327 221 Fax: +(0)1325 327 292 Email: [sales@cvo.co.uk](mailto:sales@cvo.co.uk) Web: [www.cvo.co.uk](http://www.cvo.co.uk)

**SHOWROOM:** CVO Fires can be seen live in our FIREVAULT showrooms based in the North and South of the UK.

Visit [www.firevault.co.uk](http://www.firevault.co.uk) or call 01325-301020 for full contact details, location maps and directions.