

Double-Sided Fire River – See Through Fireplace Design

Index # 88, Rev-4, Page 1 of 2

CVO Fire : 01325-301020 : www.cvo.co.uk : sales@cvo.co.uk

OPTIONS:

This Fire is supplied as a Full Suite with Burner, Enclosure and Gather.

ENCLOSURE MATERIAL: Brushed Stainless steel

FASCIA OPTIONS: Brushed Steel or Black Steel – Other trims upon request.

Bespoke sizes are available upon request.

CE APPROVAL:

The Ribbon Burner is CE approved for the following gas categories and is available for all European Countries.

- **NATURAL GAS**
 - I2H-G20-20mBar, I2E-G20-20mBar, NG-I2E+-G20/G25-20/25mBar
- **LPG/Propane**
 - LPG-I3P(37)-G31-37mBar

DIMENSIONS:

Size of fire opening : HEIGHT: 262mm x WIDTH: 960mm

Size fire with trim fitted : HEIGHT: 403mm x WIDTH: 1000mm

Enclosure Depth : 500mm

See attached construction drawing; the front of the enclosure must be flush with the finished wall.

TECHNICAL INFORMATION:

1. **Natural Gas :** 10.5kw [42p/hour] **Flow Rate : 1.5m3/Hour**
2. **LPG/Propane:** 12.4kw [140p/hour] **Flow Rate: 0.6m3/Hour**
3. VENTILATION: This is a high power appliance and requires a 100cm² air vent in the room.
4. PIPE WORK: This is a high power appliance and needs a strong, steady gas supply. See above. Ensure that pipe work is checked, flow rated and if required upgraded before installing appliance.
5. FLUE SYSTEM:
 - a. The fire is supplied with the Gather and this must be used to ensure fire operates safely.
 - b. The fire has been designed to be used with a 200mm flue liner.
 - c. This type of "double sided" installation may require special flue requirements and in some instances mechanical extraction to operate safely. Seek advice from a Flue Specialist.
 - d. If the flue system is not strong enough to ensure the fire operates safely and the purchaser does not want to use a fan system then an additional glass panel may be fitted on one side.
6. The fire is supplied as a complete set with burner unit, enclosure and gather, optional trims are available.
7. The fascia can be fitted after installation and can be used on both sides or only one side and can be mixed between finishes. If in doubt ask a sales consultant.
8. Fire is available for NG or LPG, specify which is required when ordering.
9. ODS (Oxygen Depletion System) fitted to monitor oxygen levels in the room.
10. The fireplace must be designed with burner ventilation provided into the burner tray. This can be done using a duct to floor level. There is a separate specification with guidance – ask for a copy.
11. The fire is operated by an "AA" battery remote system with a handset.
12. There is an option to purchase a "MAINS ADAPTOR UPGRADE". Ask sales.
13. The remote is fully sequential and operates ON/OFF and UP/DOWN .

=====

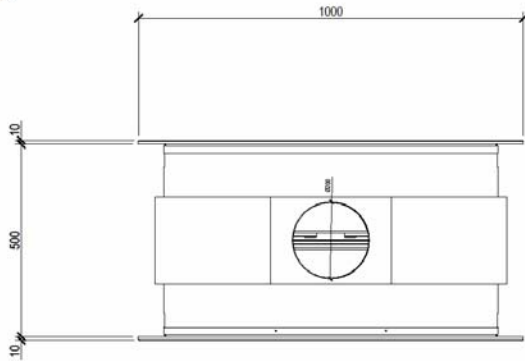
CVO reserve the right to amend and improve the specification sheets without prior notice. If in doubt about any aspect of this specification please call. The specification is not to be used to install the fireplace. Every fire is supplied with an official install booklet. Spirit Fires Limited own the Spirit, CVO and Firevault Trademarks. Copying and distribution of these specifications is not permitted without the permission of Spirit Fires Ltd. All dimensions include a +/-2mm tolerance.

Spirit Fires Ltd, 4 Beaumont Square, Durham Way South, Newton Aycliffe, County Durham, DL5 6XN
Sales: +44 (0)1325-301020 Office: +44 (0) 1325 327 221 Fax: +(0)1325 327 292 Email: sales@cvo.co.uk Web:
www.cvo.co.uk

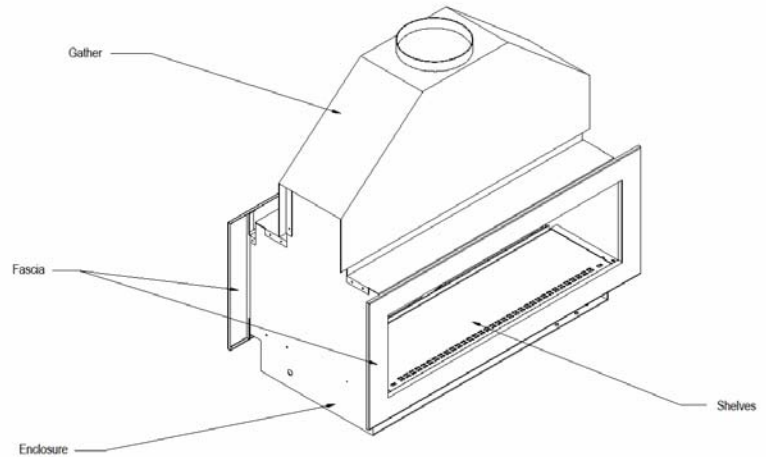
SHOWROOM: CVO Fires can be seen live in our FIREVAULT showrooms based in the North and South of the UK.
Visit www.firevault.co.uk or call 01325-301020 for full contact details, location maps and directions.

Double-Sided Fire River – See Through Fireplace Design
Index # 88, Rev-4, Page 2 of 2
CVO Fire : 01325-301020 : www.cvo.co.uk : sales@cvo.co.uk

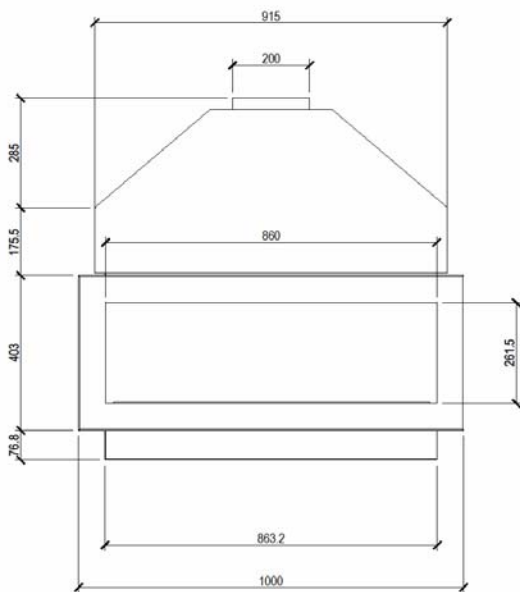
Top View



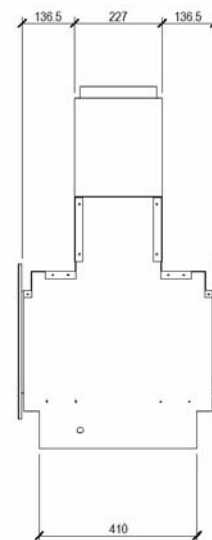
Perspective View



Front View



Side View



=====

CVO reserve the right to amend and improve the specification sheets without prior notice. If in doubt about any aspect of this specification please call. The specification is not to be used to install the fireplace. Every fire is supplied with an official install booklet. Spirit Fires Limited own the Spirit, CVO and Firevault Trademarks. Copying and distribution of these specifications is not permitted without the permission of Spirit Fires Ltd. All dimensions include a +/-2mm tolerance.

Spirit Fires Ltd, 4 Beaumont Square, Durham Way South, Newton Aycliffe, County Durham, DL5 6XN
 Sales: +44 (0)1325-301020 Office: +44 (0) 1325 327 221 Fax: +(0)1325 327 292 Email: sales@cvo.co.uk Web:
www.cvo.co.uk

SHOWROOM: CVO Fires can be seen live in our FIREVAULT showrooms based in the North and South of the UK. Visit www.firevault.co.uk or call 01325-301020 for full contact details, location maps and directions.